

Description

The FX front display module is a bracket-mounted competitive drop-in replacement front interface module coupled with the BIX low/medium power PC and Mini-ITX board.

All FX-BIX Integrated industrial panel "brick" PCs are designed for quick installation and service.



Key Features

- Rugged modular steel construction built to order
- Small and compact computer system for most industrial environments
- Configured in models with 0 or 1 PCI Slots

Specifications

FX MONITOR DISPLAY		
SPECS	FX10	FX12
Display Size	10.4" TFT LCD	12.1" TFT LCD
Resolution	SVGA 800 x 600	SVGA 800 x 600
Viewing Angle	H: -40°/+60°, V: -60°/+60°	H: -70°/+70°, V: -60°/+50°
Contrast Ratio	500:1	500:1
Brightness	400 nits	400 nits
Bulb Life	CCFT Back Life estimated to be about 50,000 hours	
Interface Lens	5-Wire analog resistive touch sensor OR Protective lexan lens	
Mounting Bezel	NEMA 4 Powder coated aluminum OR NEMA 4X stainless steel	
Warranty	18 Month Limited Warranty. Extended warranty available, contact us for more details	

BIX CHASSIS MODULE		
SPECS	BIX0	BIX1
Expansion Slots	0 PCI Slots	1 PCI Slots
System	Mini-ITX Core 2 Duo: 2x Ethernet 1.0Gb Ports, 2x USB 2.0, 2x RS232 Ports, 2x PS/2, Audio I/O Mini-ITX Intel Atom: 2x Ethernet Realtek 1.0Gb, 4x USB 2.0, 4x RS232 Ports, 2x PS/2, Audio I/O, DVI	
CPU	Core 2 Duo Mobil, Core Solo Mobile, Core Duo Mobile, Atom	
Operating System	Windows XP Pro, Windows XP Embedded, Windows 2000, Windows Vista, Windows 7, ROMDOS	
Memory	1.0Gb to 2Gb DDR or DDR2	
Storage Drives	2.5" SATA or PATA Hard Drives / 2.5" Solid State Drives / Industrial Compact Flash Cards	
Media Drives	Slim DVD/DVD-RW/CD/CD-RW (Mounting depth is increased 0.60" with rear mounted thin CD/DVD Drive *)	
Power Supply	1U 120~240 VAC Power Supply or Open Frame Fanless 24VDC Power Supply	
Temperature	0°~50°C (32°~122°F) Operating / -25°~60°C (-4°~140°F) Non-Operating	
Relative Humidity	10% ~ 95% Non-Condensing	
Shock	10G Operating / 15G Non-Operating	
Vibration	1.0G from 57-2000 Hz Operating / 2.5G from 57-2000 Hz Non-Operating	
Warranty	18 Month Limited Warranty. Extended Warranty Available, Contact Us For More Details	

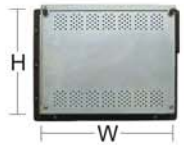
* Rear mounting increases only for BIX0 and BIX1

Dimensions



DISPLAY FRONT DIMENSIONS

	FX10	FX12
Height	9.8"	11.0"
Width	13.2"	13.8"



PANEL CUTOUT DIMENSIONS

	FX10	FX12
Height	8.8"	10.0"
Width	12.1"	12.8"

MOUNTING DEPTH DIMENSIONS

	FX10	FX12
BIX0	4.65"	
BIX1	6.97"	

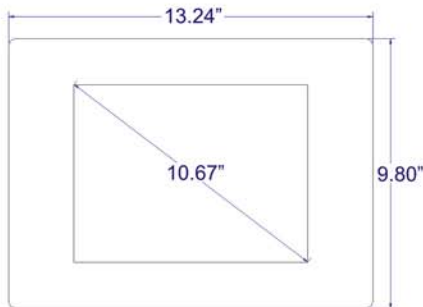
* CD/DVD rear mounting increases by 0.60" only for BIX0 & BIX1

WORKSTATION WEIGHTS

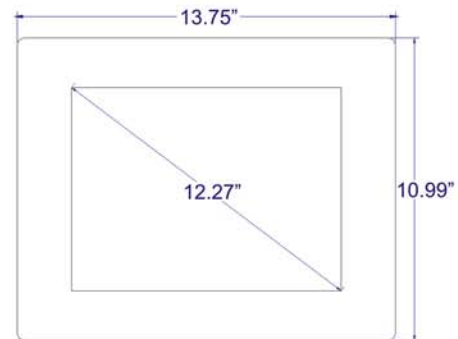
	FX10	FX12
BIX0	15.10 lbs	16.45 lbs
BIX1	17.70 lbs	18.95 lbs

Mechanical Drawing

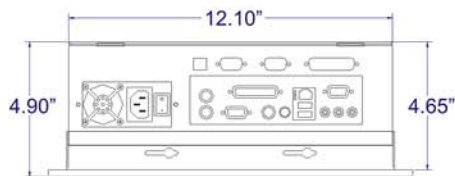
FX 10



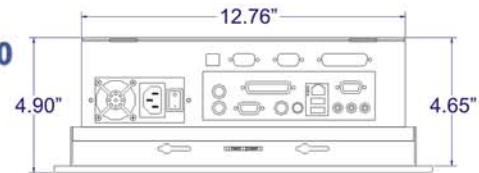
FX 12



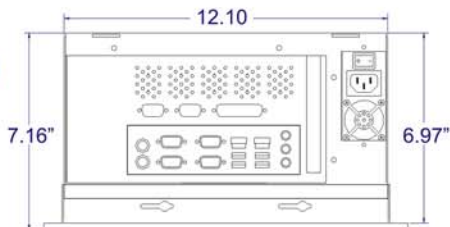
FX10-BIX0



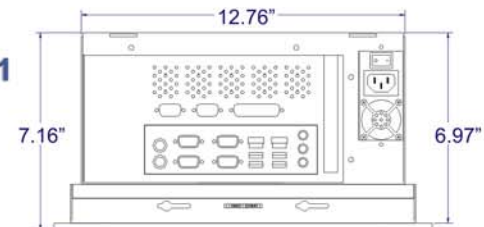
FX12-BIX0



FX10-BIX1



FX12-BIX1



All measurements are in inches and pounds, unless noted. Picture and drawings are not to scale.

Estimated weight may change depending on additional options.

Dynics reserves the right to change, modify, upgrade or discontinue to its discretion any part of this datasheet without any prior notice.

For more information email us at: sales@dynics.com

Visit us online at:

www.dynics.com

DYNICS

4330 Varsity Drive, Ann Arbor, MI 48108
Ph. 734.677.6100 • Fax: 734-677-6105

Proudly made in U.S.A. ★